

K1603T Series

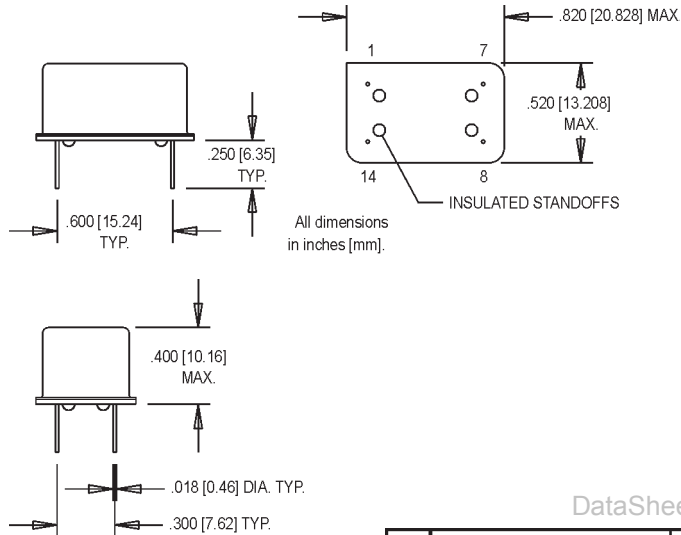
14 DIP, 5.0 Volt, CMOS/TTL, TCXO



- Former **Champion TECHNOLOGIES, INC.** Product
- Clocking "Sync" to NTSC Video Standards, Reference Signal, Signal Tracking
- Stratum 3 Compliant

Ordering Information

Product Series	K1603T	00.0000 MHz
Frequency (customer specified)		



Pin Connections

PIN	FUNCTION
1	N/C
7	Ground/Case Ground
8	Output
14	+Vdd

DataSheet4U.com

Electrical Specifications	PARAMETER	Symbol	Min.	Typ.	Max.	Units	Condition/Notes
	Frequency Range	F	2		30	MHz	
	Operating Temperature	T _A	-40		+85	°C	
	Storage Temperature	T _S	-40		+85	°C	
	Frequency Stability	ΔF/F			±4.6	ppm	
	Aging (10 Year)		-2		+2	ppm	
	Input Voltage	V _{dd}	4.75	5.0	5.25	V	
	Input Current	I _{dd}			20	mA	
	Output Type						HCMOS/TTL
	Load		5 TTL or 15 pF HCMOS				See Note 1
	Symmetry (Duty Cycle)						See Note 2
	<14 MHz		45		55	%	
	≥14 MHz		40		60	%	
	Logic "1" Level	V _{oh}	4.5			V	
	Logic "0" Level	V _{ol}			0.5	V	
	Rise Time	T _r		3.5	9.0	ns	
Fall Time	T _f		2.0	8.0	ns		
Start up Time				10	ms		
Phase Noise (Typical)		10 Hz	100 Hz	1 kHz	10 kHz	100 kHz	Offset from carrier
@ 20 MHz		-80	-108	-125	-132	-155	dBc/Hz

1. TTL load - see load circuit diagram #1 on page 115. HCMOS load - see load circuit diagram #2 on page 115.
2. Symmetry is measured at 1.4 V with TTL load, and at 50% V_{dd} with HCMOS load.